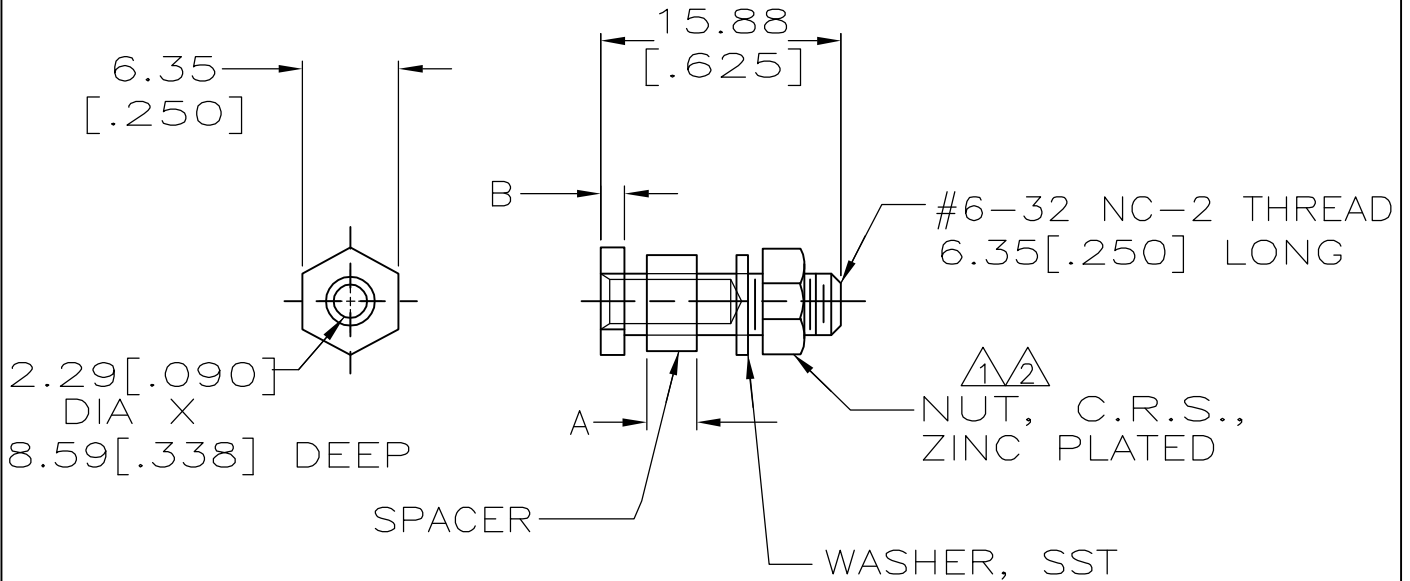


LOC	DIST	REVISIONS					
FT	0	P	LTR	DESCRIPTION	DATE	DWN	APVD
		K1		REVISED PER ECO-05-4934	7/22/05	SS	GS

NOTES:

① ZINC PLATED WITH HEXAVALENT CHROMIUM.

② ZINC PLATED WITH NON-HEXAVALENT CHROMIUM.



②	1.57 [.062]	3.30 [.130]	202174-5
②	3.10 [.122]	—	202174-4
①	1.57 [.062]	2.36 [.093]	202174-3
①	1.57 [.062]	3.30 [.130]	202174-1
NUT FINISH	B	A	PART NUMBER

THIS DRAWING IS UNPUBLISHED.

ALL RIGHTS RESERVED.

© COPYRIGHT BY TYCO ELECTRONICS CORPORATION.

DIMENSIONS: mm [INCHES]	DWN T. SMITH 10/28/94	MATERIAL SEE CALLOUTS	FINISH SEE CALLOUTS
	CHK D. STONE 11/7/94	Tyco Electronics Corporation Harrisburg, Pa 17105-3608	
TOLERANCES UNLESS OTHERWISE SPECIFIED:	APVD —	NAME GUIDE SOCKET KIT, UNASSEMBLED 104 POSN CNTR FASTENER, M SERIES	
	PRODUCT SPEC —	SIZE A4	CAGE CODE 00779
0 PLC ± -	APPLICATION SPEC —	DRAWING NO C-202174	RESTRICTED TO —
1 PLC ± -	WEIGHT —	SCALE 2:1	
2 PLC ± 0.38[.015]	CUSTOMER DRAWING		
3 PLC ± -	SHEET 1 OF 1		
4 PLC ± -	REV K1		
ANGLES ± -	AMP 1469-35 REV 31MAR2000		